



CSSP-06W-140-LZ

6 Watts Splash-proof Ceiling Loudspeaker



EN 54 24

- splash-proof
- frameless design
- WAGO connector 221



EN 54-24:2008
Ref. Nr.: 006-27
ID-Code: SAA-LS27
0068-CPR-184/2023

AUDEMO-SYSTEMS GmbH Schatzbogen 62
81829 München, Germany

CE-Symbol gemäß Richtlinie 93/68EWG

APPLICATION

- Background Music

AREA OF USE

- Health • Education • Retail • Hospitality

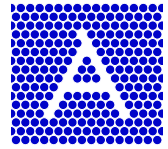
OVERVIEW

The CSSP-06W-140-LZ is a splash-proof version which is perfect for the installation in bathrooms, Saunas and pool areas, e.g. The loudspeaker is a low impedance type. The powder coated metal in RAL 9016 guarantees long-term stability.

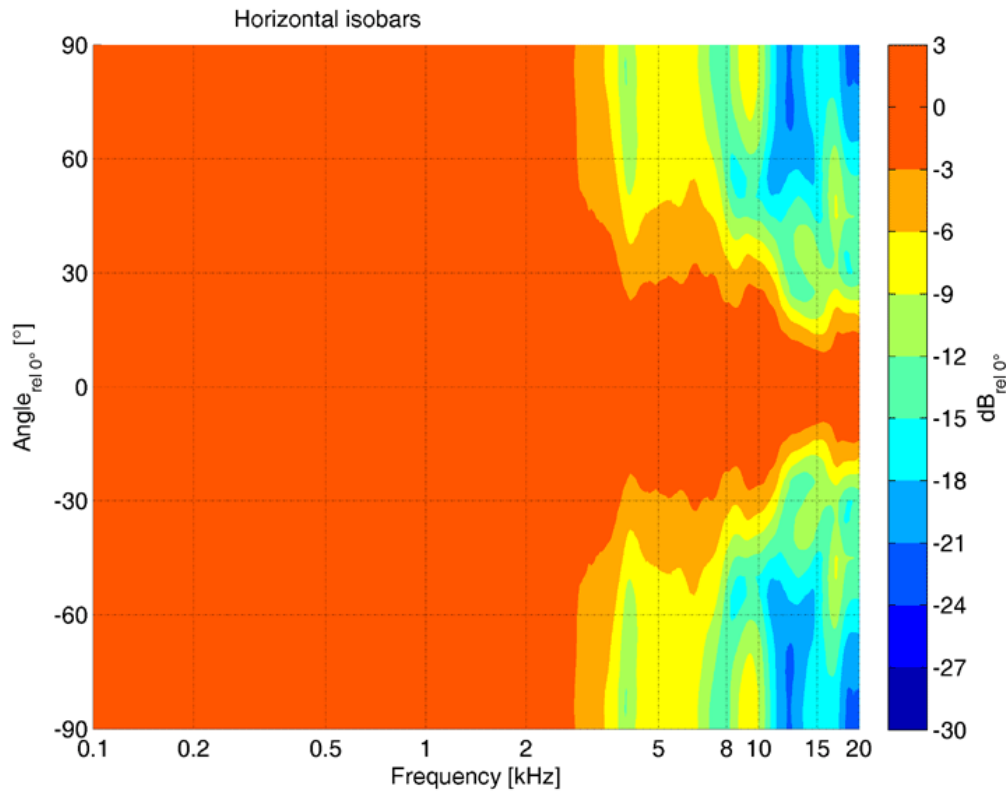
The speaker is secured with protection class IP 54 against the risks of environmental influences. For additional reliability, the speaker is impregnated against wetness. Fast and easy installation by WAGO 221 connector and strong spring clamps with protective caps for vibration damping. The connecting cables can be supplied by rubber grommets in the dome.

Special paint of the speaker in 4-digit RAL- or NCS- colour is available at extra cost. The ABS fire dome is included in the delivery.

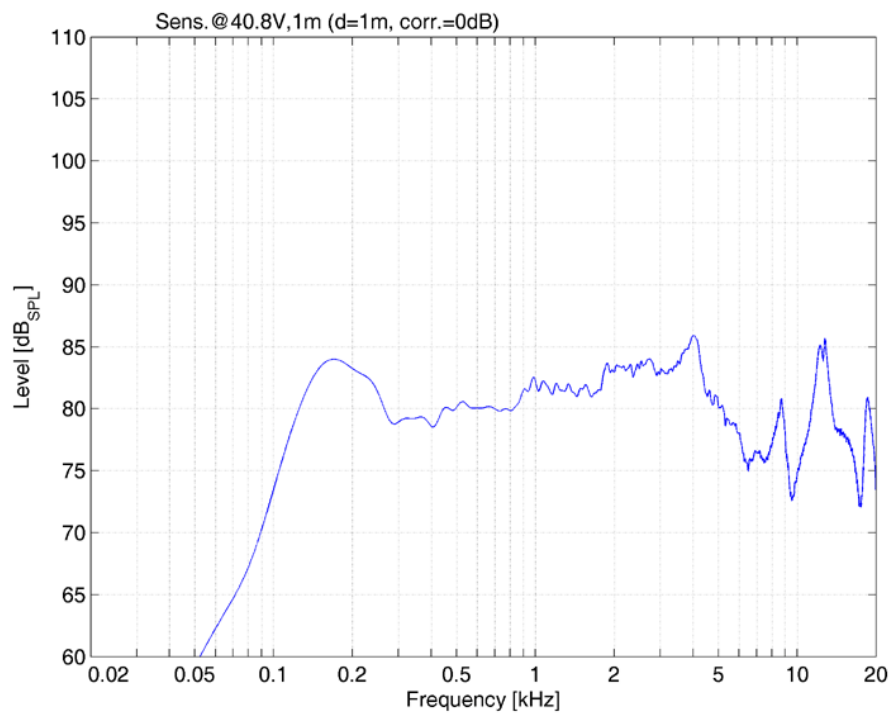
This speaker is suitable for a ceiling strength of about 1-45 mm. Our specification is primarily related to solid ceilings, for ceilings with soft materials higher ceiling thicknesses could be necessary. In addition, stronger cables and other fittings may also result in changes in the appropriate setup. Regarding the variety of materials and manufacturers, we recommend building a sample of the speaker to match the requirements accurately.



POLAR DIAGRAMS

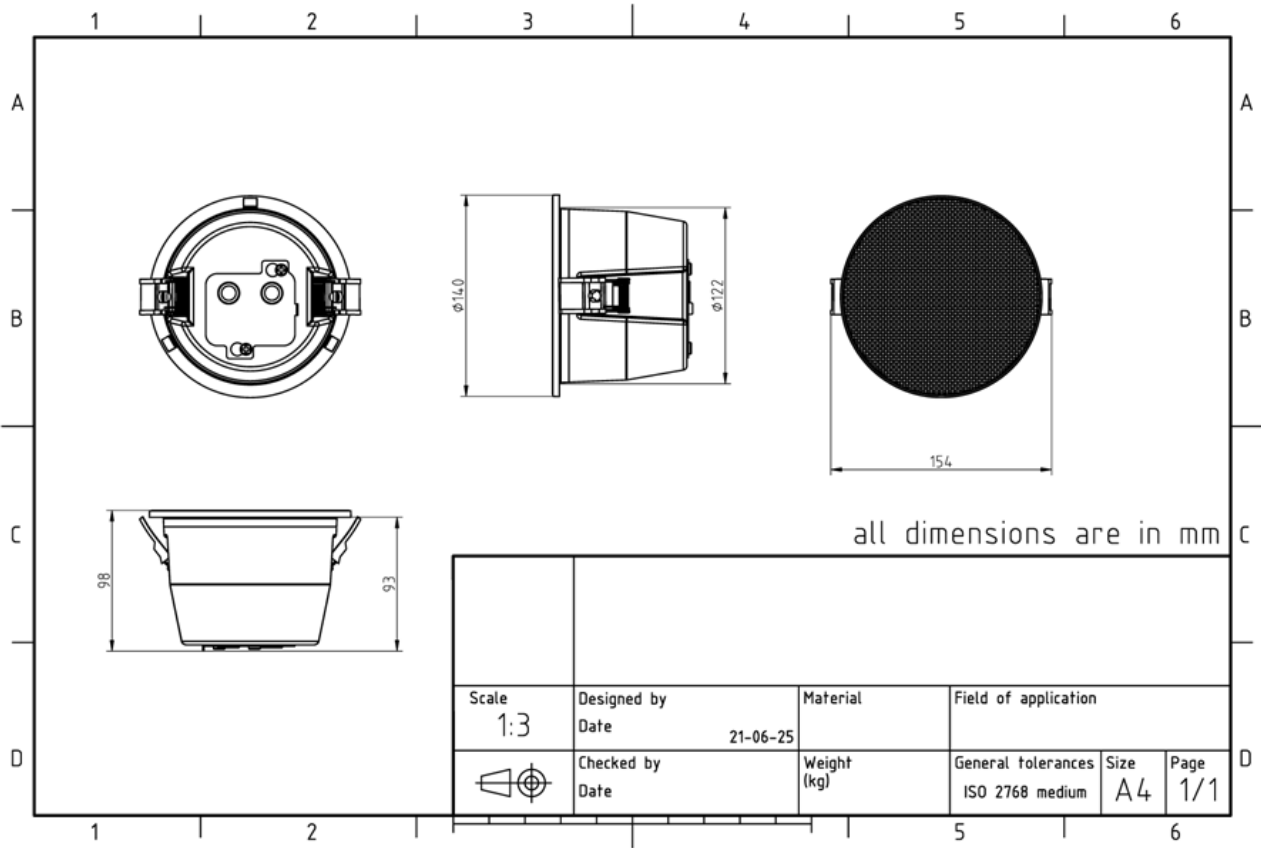


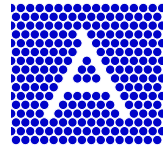
FREQUENCY RESPONSE DIAGRAMS





TECHNICAL DIAGRAMS





TECHNICAL DATA (ELECTRICAL)

Power	6W
Impedance (100V)	1667 ohm
Loudspeaker impedance	8 or 16 ohm
Frequency Range	98 - 20.000 Hz
Frequency Response	93 - 20.100 Hz
Sensitivity, IEC268-5, 1W/1m	91 dB
Sensitivity, EN54-24, Pmax./4m	84,7 dB
Sensitivity, rated noise power / 4m	79,1 dB
Sensitivity EN54-24, 1W/4m	68,5 dB
Sensitivity EN54-24, 1W/1m	80,5 dB
Sensitivity 1W/1m @ 1KHz	89 dB
Dispersion -6dB, 500Hz	h/v 180°
Dispersion -6dB, 1KHz	h/v 180°
Dispersion -6dB, 2KHz	h/v 180°
Dispersion -6dB, 4KHz	h/v 81°

TECHNICAL DATA (MECHANICAL)

Dimensions	140x98 mm
IP Rating	IP54
Weight (net)	0,7 kg
Ceiling Cut-out	129 mm
Temperature range	-10 / +55 °C
Mounting	Quick fit mounting
Connector	WAGO 221 connector
Maximum cable cross section	4mm ²
Max. cable cross section loop	4mm ²
Colour	RAL 9016

All rights reserved.

Information contained in this document is believed to be accurate, however no representation or warranty is given and Audemo-systems in Germany assumes no liability with respect to the accuracy of such information.



Member of the ZVEI - Central Association
for the Electrical Engineering and Electrical
Industry eV Safety Association



AUDEMO - SYSTEMS GmbH (Headquarter)

Schatzbogen 62 81829 Munchen
Tel.: +49 (0) 89 1 4 56 78 47 - 0, Fax: +49 (0) 89 1 4 56 78 47- 2900
info@audemo-systems.de, www.audemo-systems.de