



PS-20W-AL

20 Watts Projector Type Loudspeaker



EN 54 24



- quick mounting
- aluminium housing
- BS 5839



EN 54-24:2008
Ref. Nr.: 002-13
ID-Code: SAA-LS02
0068-CPR-207/2024

AUDEMO-SYSTEMS GmbH Schatzbogen 62
81829 München, Germany

CE-Symbol gemäß Richtlinie 93/68EWG

APPLICATION

- Public Address and Voice Alarm
- Background Music
- Audio Visual

AREA OF USE

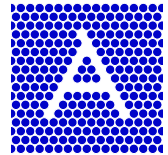
- Health
- Education
- Retail
- Hospitality
- Stadiums
- Transportation
- Theme parks
- Military

OVERVIEW

The 20W powered speaker is equipped with a 130mm full-range loudspeaker and a 100V line transformer with 4 power adjustments. A robust powder coated aluminum housing in RAL 9010, and a solid aluminium mounting bracket ensures the permanent installation of this speaker. For additional reliability, a 2 pin-ceramic block and a thermal fuse is provided in a junction box and the speaker chassis is impregnated against wetness.

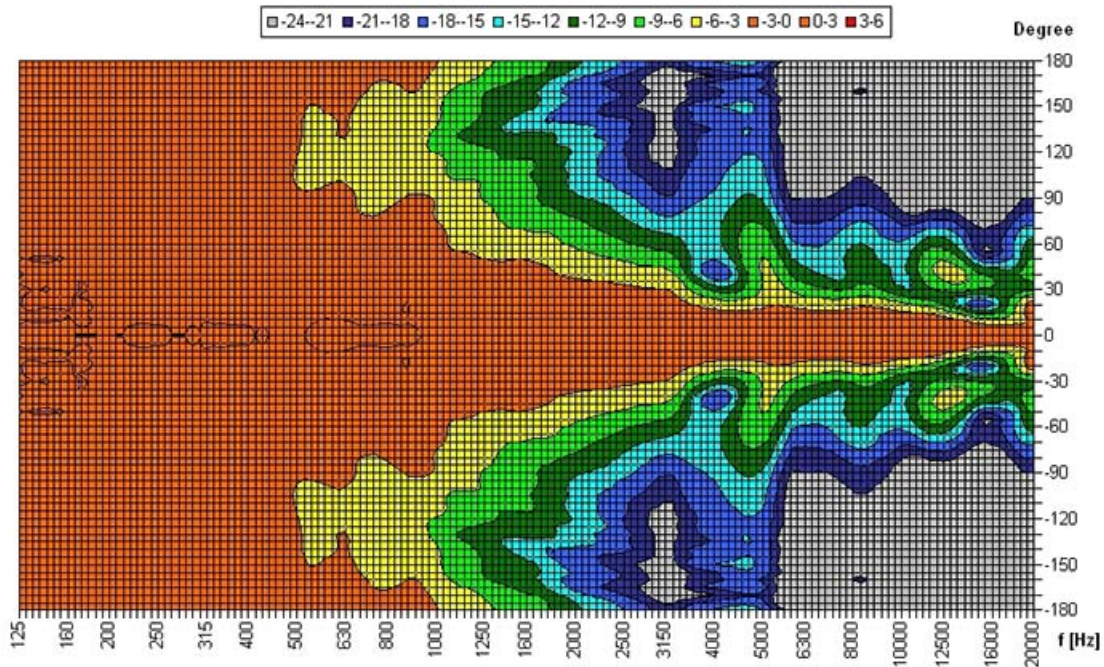
The speaker is also secured with the high protection class IP 65 against the risks of environmental influences. The speaker is compliant with the British Standard BS 5839, Part 8.

Optionally available is a mast bracket (MB) for about 200mm mast diameter.



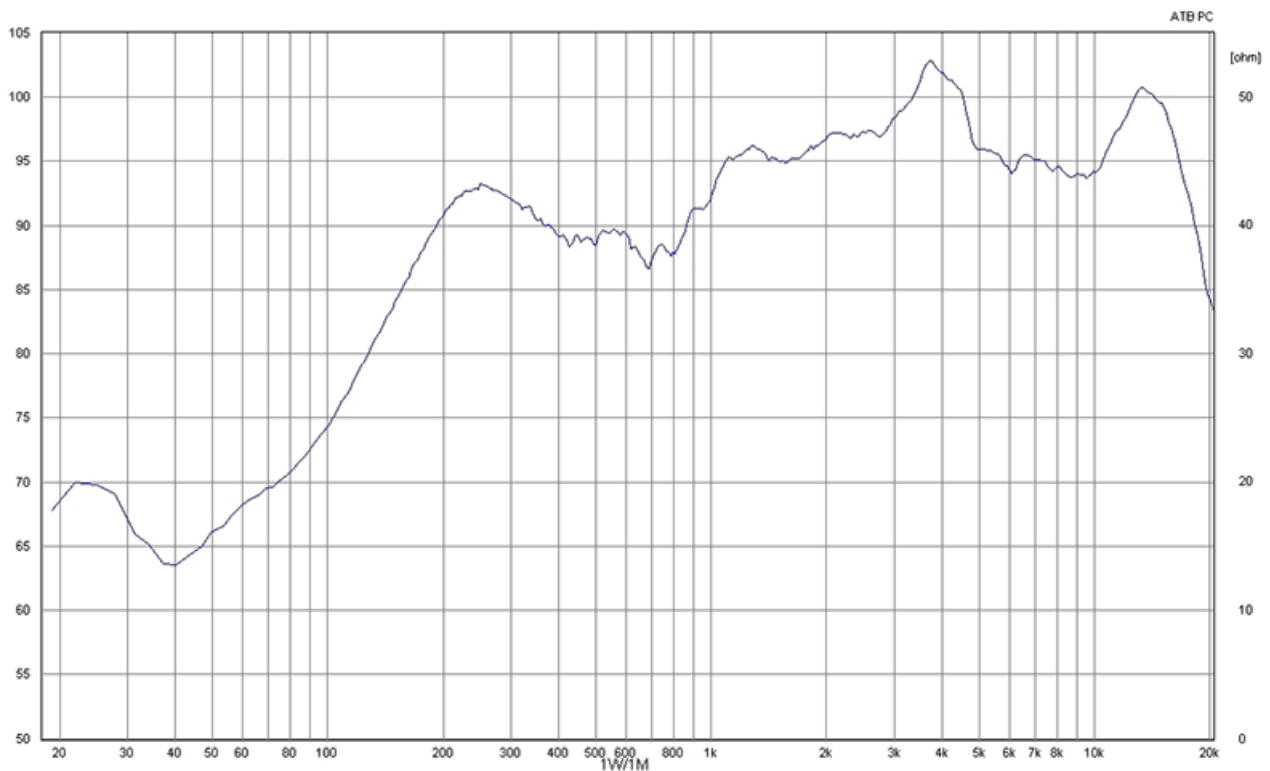
POLAR DIAGRAMS

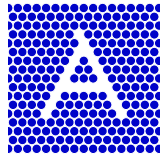
Copyright by Four-Audio GmbH & Co KG Licensed to AAC



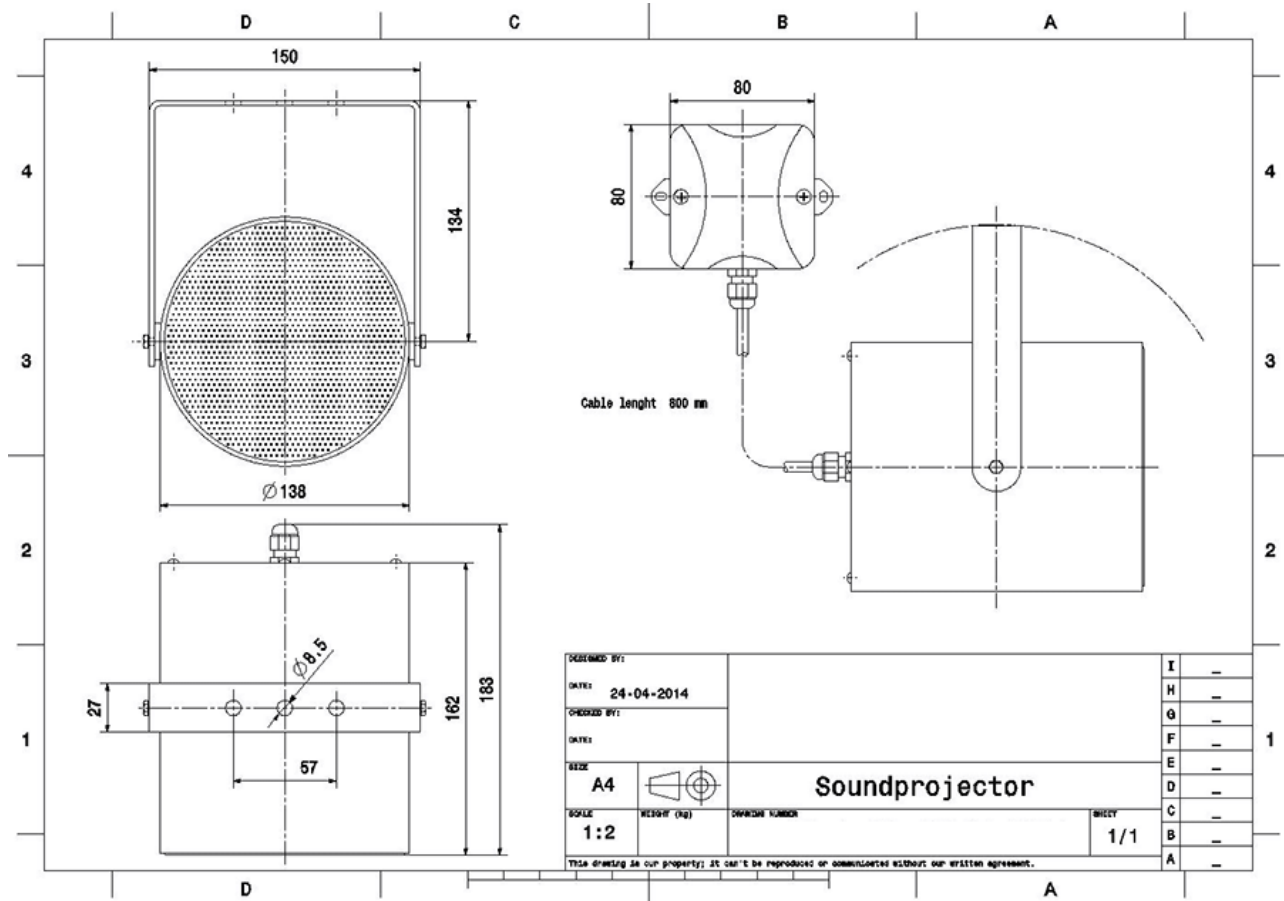
Parameters: Cyclic Move: 0° ; Symmetry: average sym ; Freq.Smooth: 1/3 Oct ; Ang.Resol: 5° ; Rel. to: 0° Axis 0°

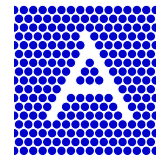
FREQUENCY RESPONSE DIAGRAMS





TECHNICAL DIAGRAMS





TECHNICAL DATA (ELECTRICAL)

| | |
|-------------------------------------|-----------------------|
| Description | PS-20W-AL |
| Power | 20/15/10/5 W |
| Impedance (100V) | 500/667/1000/2000 ohm |
| Frequency Range | 800 - 16.700 Hz |
| Frequency Response | 150 - 20.000 Hz |
| Sensitivity, IEC268-5, 1W/1m | 92 dB |
| Sensitivity, rated noise power / 4m | 93,0 dB |
| Sensitivity EN54-24, 1W/4m | 80,3 dB |
| Sensitivity EN54-24, 1W/1m | 92,3 dB |
| Sensitivity 1W/1m @ 1KHz | 88 dB |
| Dispersion -6dB, 500Hz | h/v 360° |
| Dispersion -6dB, 1KHz | h/v 210° |
| Dispersion -6dB, 2KHz | h/v 105° |
| Dispersion -6dB, 4KHz | h/v 55° |

TECHNICAL DATA (MECHANICAL)

| | |
|-------------------------------|---------------------|
| Dimensions | 140x163 mm |
| IP Rating | IP65 |
| Weight (net) | 2,52 kg |
| Temperature range | -25 / +70 C° |
| Mounting | Mounting bracket |
| Connector | 2-pin ceramic block |
| Maximum cable cross section | 8mm ² |
| Max. cable cross section loop | 2x2mm ² |
| Colour | RAL 9010 |

All rights reserved.

Information contained in this document is believed to be accurate, however no representation or warranty is given and Audemo-systems in Germany assumes no liability with respect to the accuracy of such information.



Member of the ZVEI - Central Association
for the Electrical Engineering and Electrical
Industry eV Safety Association



AUDEMO - SYSTEMS GmbH (Headquarter)

Schatzbogen 62 81829 Munchen
Tel.: +49 (0) 89 1 4 56 78 47 - 0, Fax: +49 (0) 89 1 4 56 78 47- 2900
info@audemo-systems.de, www.audemo-systems.de