



SS-60W-ABS-B

60 Watts Pendent (Spherical) Loudspeaker

Made
in
Germany

EN 54 24



- UV-resistant
- easy power adjustment
- 2-Way system



EN 54-24:2008
Ref. Nr.: 023-15
ID-Code: SAA-LS33
0068-CPR-XXXX

AUDEMO-SYSTEMS GmbH Schatzbogen 62
81829 München, Germany

CE-Symbol gemäß Richtlinie 93/68EWG

APPLICATION

- Public Address and Voice Alarm
- Background Music
- Audio Visual

AREA OF USE

- Health
- Education
- Retail
- Hospitality
- Stadiums
- Transportation
- Theme parks
- Military

OVERVIEW

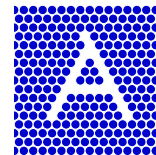
The 60W speaker is equipped with a 2-way bass reflex system and offers powerful sound with a wide and homogeneous dispersion. The SS-60W-ABS-B has a 100V transformer with 3 power adjustments, these can be easily adjusted by a rotary switch on the top of the sphere. Low impedance operation is also possible.

The impact-resistant, UV-resistant ABS plastic housing in RAL 9016 guarantees lasting stability.

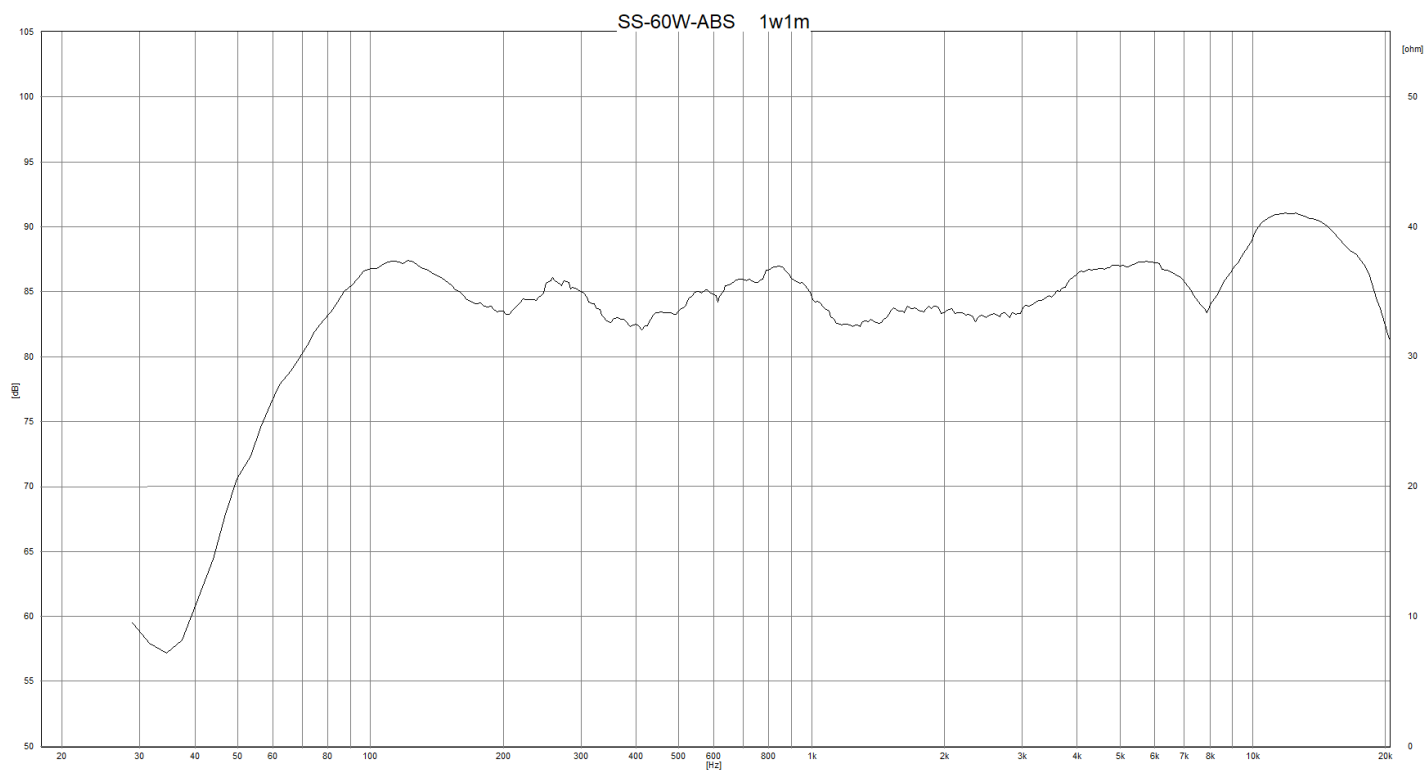
Additional operational safety is provided by the 2-pole ceramic terminal block, a thermal fuse, a PG screw connection integrated into the canopy and the moisture impregnation of the loudspeaker. The loudspeaker is protected against the risks of environmental influences with protection class IP65.

The connection is made via a 2-core, 4.5m long cable. Quick and uncomplicated installation using mounting hooks and canopy.

The speaker is compliant with the British Standard BS 5839, Part 8.

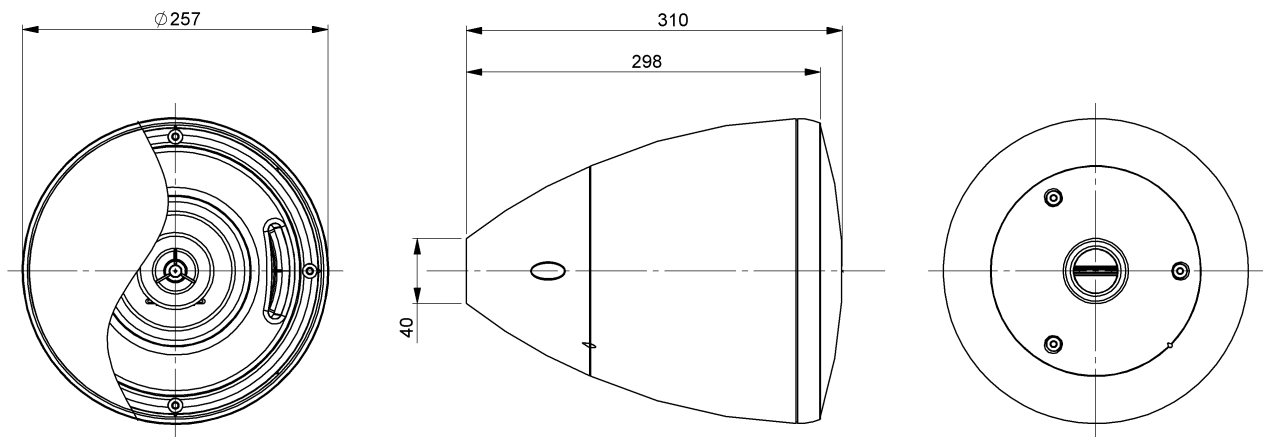


FREQUENCY RESPONSE DIAGRAMS





TECHNICAL DIAGRAMS



all dimensions are in mm



TECHNICAL DATA (ELECTRICAL)

Description	SS-60W-ABS-B
Power	60 /30 /15W
Impedance (100V)	167 / 333 / 667 / 8 ohm
Frequency Range	70 -20.000 Hz
Frequency Response	60 - 22.000 Hz
Sensitivity, IEC268-5, 1W/1m	86,2 dB
Sensitivity EN54-24, 1W/1m	86,2 dB
Sensitivity, EN54-24, Pmax./4m	91,9 dB
Sensitivity EN54-24, 1W/4m	74,2 dB
Sensitivity 1W/1m @ 1KHz	85 dB
Dispersion -6dB, 500Hz	h/v 360° / 360°
Dispersion -6dB, 1KHz	h/v 160° / 160°
Dispersion -6dB, 2KHz	h/v 110° / 110°
Dispersion -6dB, 4KHz	h/v 72° / 72°

TECHNICAL DATA (MECHANICAL)

Dimensions	256x316 mm
IP Rating	IP65
Weight (net)	2,3 kg
Temperature range	-10 / +55 °C
Mounting	Mounting hook
Connector	2-pin screw terminal
Terminal diameter	3,2 mm
Max. cable cross section loop	2x2mm ²
Colour	black

All rights reserved.

Information contained in this document is believed to be accurate, however no representation or warranty is given and Audemo-systems in Germany assumes no liability with respect to the accuracy of such information.



Member of the ZVEI - Central Association
for the Electrical Engineering and Electrical
Industry eV Safety Association



AUDEMO - SYSTEMS GmbH (Headquarter)

Schatzbogen 62 81829 Munchen
Tel.: +49 (0) 89 1 4 56 78 47 - 0, Fax: +49 (0) 89 1 4 56 78 47- 2900
info@audemo-systems.de, www.audemo-systems.de