



CSFLD-06W-66

6 Watts Ceiling Loudspeaker



EN 54 24



- frameless design
- suitable also for very thin ceilings
- WAGO connector 221



EN 54-24:2008
Ref. Nr.: 001-18
ID-Code: SAA-1801
0068-CPR-XXXX

AUDEMO-SYSTEMS GmbH Schatzbogen 62
81829 München, Germany

CE-Symbol gemäß Richtlinie 93/68EWG

APPLICATION

- Public Address and Voice Alarm
- Background Music
- Audio Visual

AREA OF USE

- Health
- Education
- Retail
- Hospitality
- Stadiums
- Transportation
- Theme parks
- Military

OVERVIEW

The 6W powered speaker is equipped with a 66mm full-range loudspeaker and a 100V transformer with 3 power adjustments. The powder-coated metal version with a perforated grid cover in RAL 9016 guarantees lasting stability.

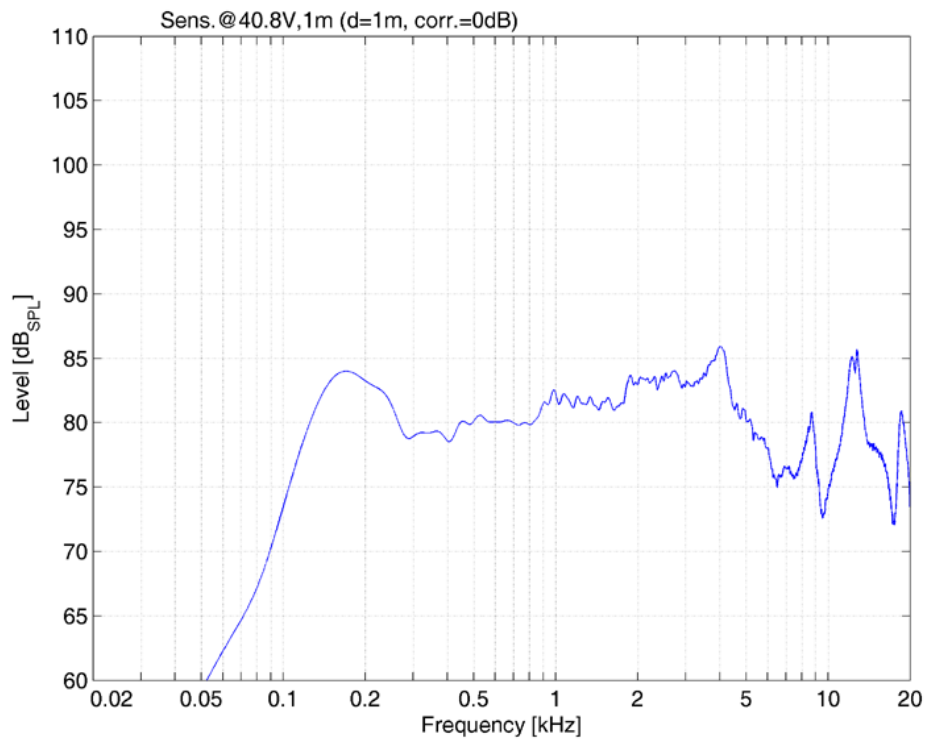
The loudspeaker is also protected against the risks of environmental influences with protection class IP 21. Fast and uncomplicated installation through spring snap lock with short clamping distance and WAGO connection termina

Special speaker finish in 4-digit RAL colour is available at extra costs. The fire dome is included in the delivery.

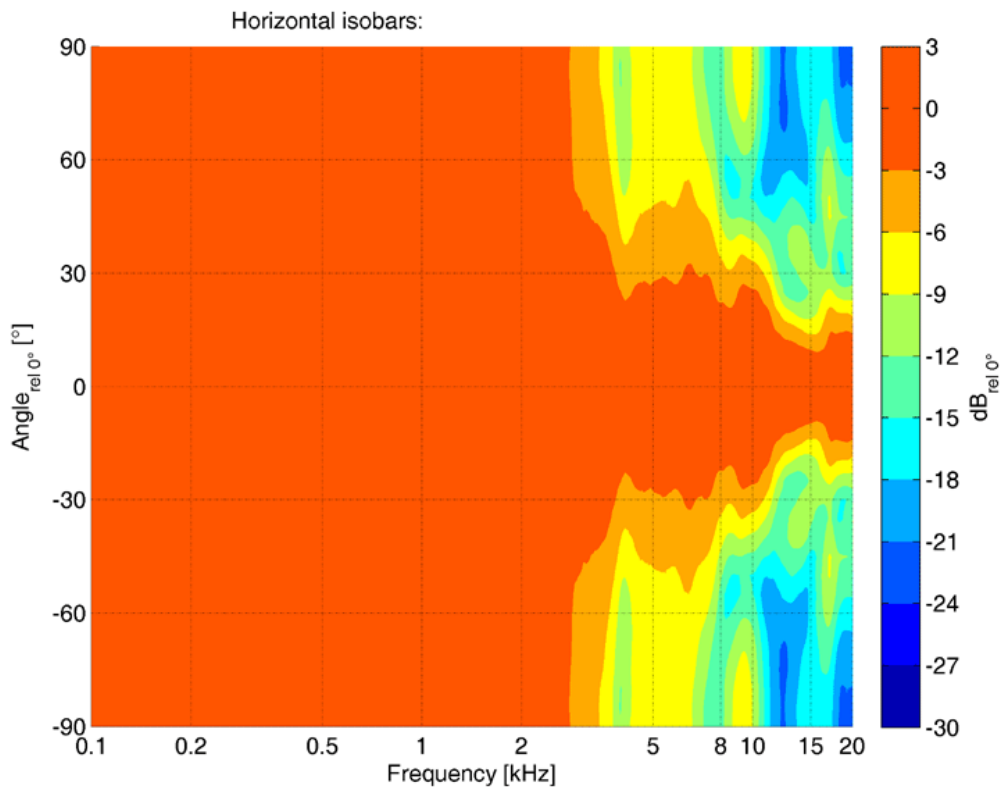
This speaker is suitable for a ceiling strength of about 2-45 mm. Our specification is primarily related to solid ceilings, for ceilings with soft materials higher ceiling thicknesses could be necessary. In addition, stronger cables and other fittings may also result in changes in the appropriate setup. With regard to the variety of materials and manufacturers, we recommend building a sample of the speaker to match the requirements accurately.



FREQUENCY RESPONSE DIAGRAM

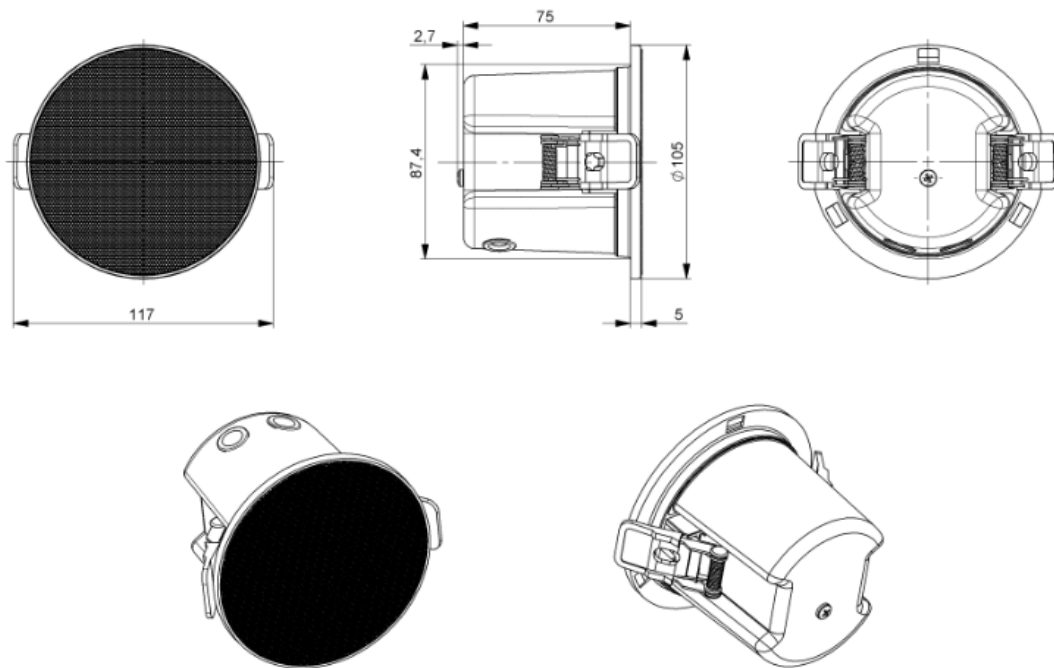


POLAR DIAGRAM

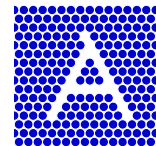




TECHNICAL DIAGRAMS



all dimensions are in mm



TECHNICAL DATA (ELECTRICAL)

Description	CSFLD-06W-66
Power	6/3/1,5 W
Impedance (100V)	1667/3333/6667 ohm
Frequency Range	98 - 20.000 Hz
Frequency Response	93 - 20.100 Hz
Sensitivity , IEC268-5, 1W/1m	80,0 dB
Sensitivity , rated noise power / 4m	79,0 dB
Sensitivity EN54-24, 1W/4m	80,4 dB
Sensitivity EN54-24, 1W/1m	68,4 dB
Dispersion -6dB, 500Hz	h/v 180°
Dispersion -6dB, 1KHz	h/v 180°
Dispersion -6dB, 2KHz	h/v 180°
Dispersion -6dB, 4KHz	h/v 81°

TECHNICAL DATA (MECHANICAL)

Dimensions	105x83 mm
IP Rating	IP21
Weight (net)	0,64 kg
Ceiling Cut-out	90 mm
Temperature range	-10 / +55 °C
Mounting	Spring clamp
Connector	WAGO 221 connector
Terminal diameter	2,5 mm
Maximum cable passage	4,9mm ²
Colour	RAL 9016

All rights reserved.

Information contained in this document is believed to be accurate, however no representation or warranty is given and Audemo-systems in Germany assumes no liability with respect to the accuracy of such information.



Member of the ZVEI - Central Association for the Electrical Engineering and Electrical Industry eV Safety Association



AUDEMO - SYSTEMS GmbH (Headquarter)

Schatzbogen 62 81829 Munchen
Tel.: +49 (0) 89 1 4 56 78 47 - 0, Fax: +49 (0) 89 1 4 56 78 47- 2900
info@audemo-systems.de, www.audemo-systems.de