



HS-30W-ABS

30 Watts Horn Loudspeaker



EN 54 24



- High sound pressure level
- Weather-proof
- BS 5839

CE
23

EN 54-24:2008
Ref. Nr.: 003-13
ID-Code: SAA-LS03
0068-CPR-XXXX

AUDEMO-SYSTEMS GmbH Schatzbogen 62
81829 München, Germany

CE-Symbol gemäß Richtlinie 93/68EWG

APPLICATION

- Public Address and Voice Alarm
- Background Music
- Audio Visual

AREA OF USE

- Health
- Education
- Retail
- Hospitality
- Stadiums
- Transportation
- Theme parks
- Military

OVERVIEW

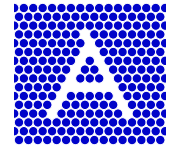
The 30W powered speaker is equipped with a 100V line transformer with 4 power adjustments, also low-impedance operation (20 ohm) is possible. The impact-resistant ABS housing UL94V0 in RAL 7035 guarantees long-term stability. For additional reliability, a ceramic block and a thermal fuse is provided.

The speaker is also secured with the high protection class IP 66 against the security risks of environmental influences. The speaker is compliant with the British Standard BS 5839, Part 8.

The PG11 cable glands on the back of the speaker allow quick and easy connection.

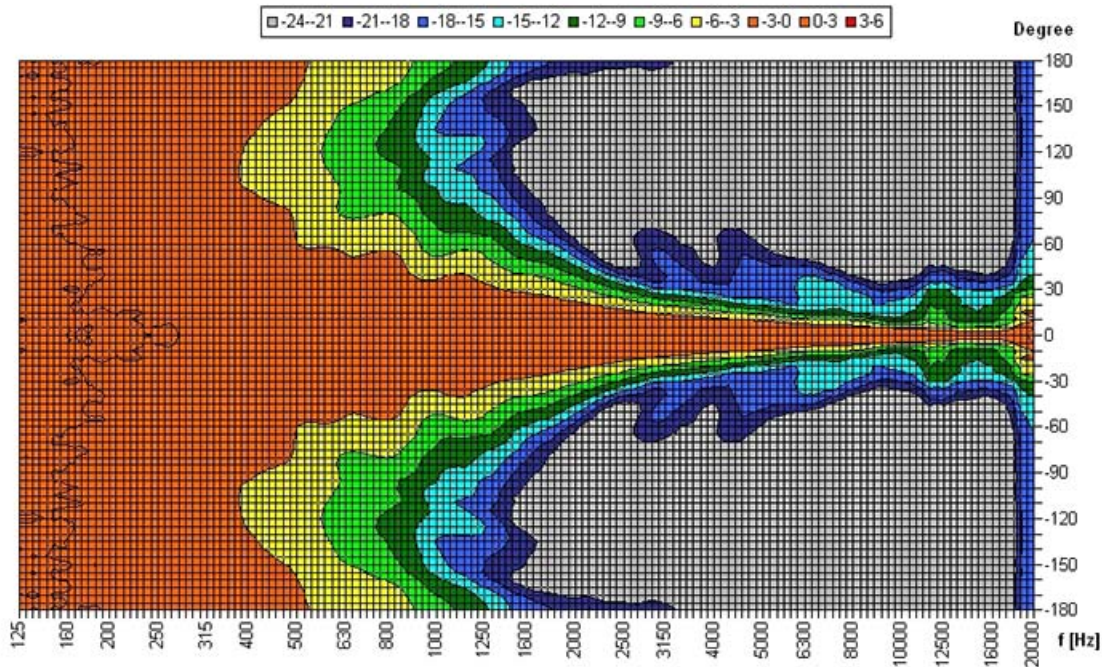
Included is a U-shaped, stainless steel universal mount for flexible installation. Optionally available is a mast bracket (MB) for about 90 - 200mm mast diameter.

To operate the product according EN 54-24, an equalizer has to be used as described in the user manual.

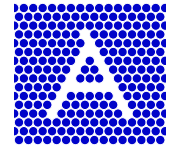


POLAR DIAGRAMS

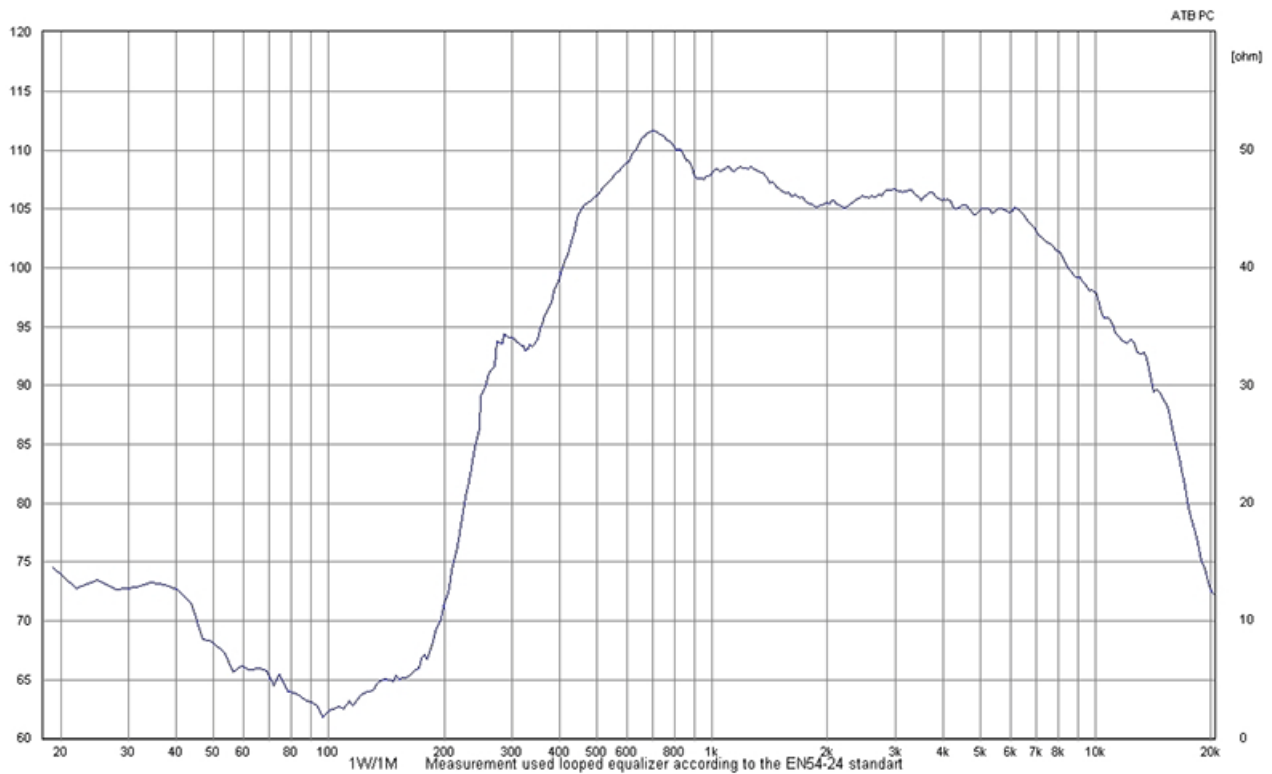
Copyright by Four-Audio GmbH & Co KG Licensed to AAC



Parameters: Cyclic Move: 0° ; Symmetry: average sym ; Freq.Smooth: 1/3 Oct ; Ang.Resol.: 5° ; Rel. to: 0° Axis 0°

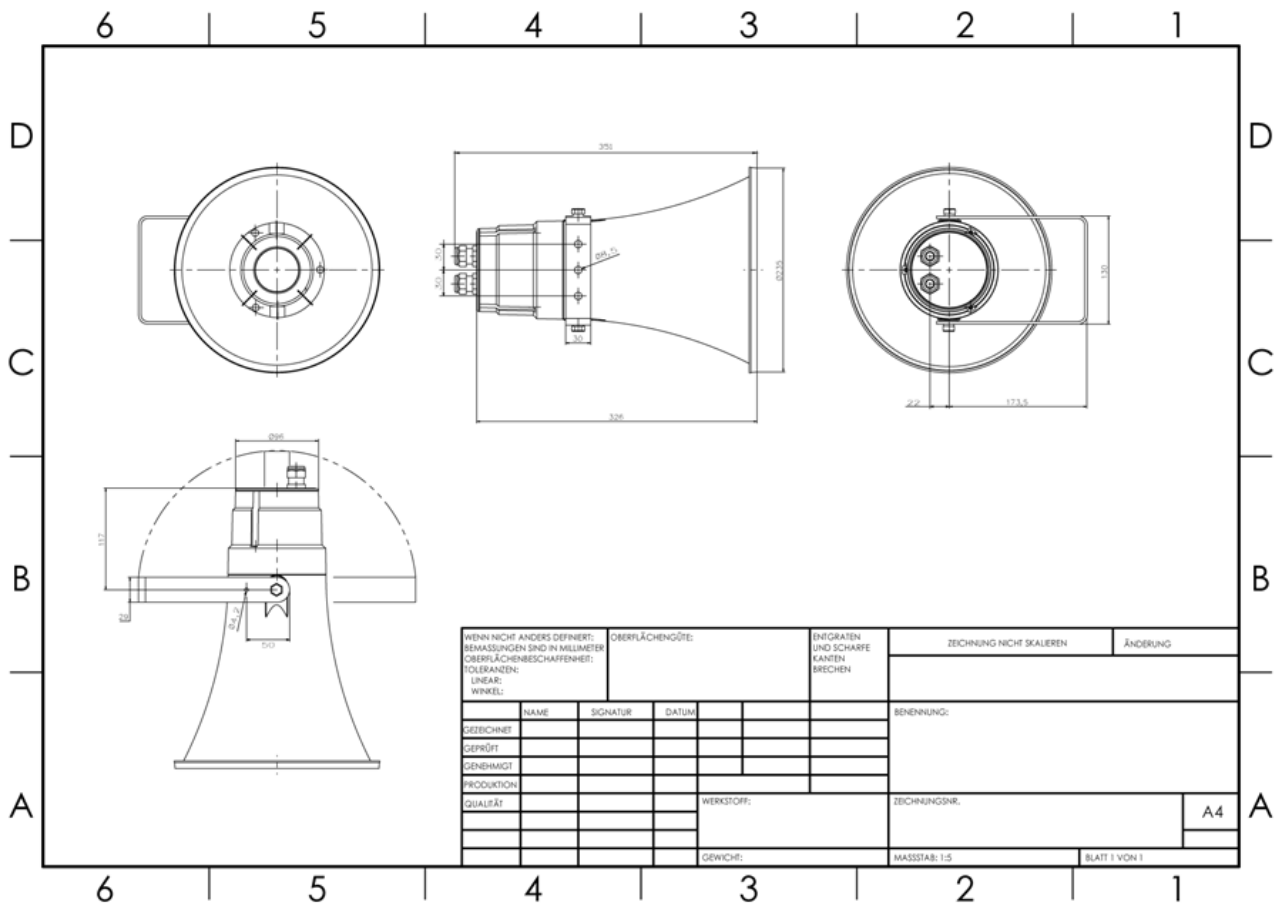


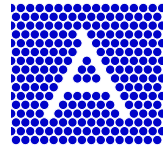
FREQUENCY RESPONSE DIAGRAMS





TECHNICAL DIAGRAMS





TECHNICAL DATA (ELECTRICAL)

Description	HS-30W-ABS
Power	30/20/10/5 (20) W
Impedance (100V)	333/500/1000/2000 ohm
Frequency Range	592 - 6.900 Hz
Frequency Response	250 - 15.000 Hz
Sensitivity, IEC268-5, 1W/1m	97,0 dB
Sensitivity EN54-24, Pmax/4m	96,0 dB
Sensitivity EN54-24, 1W/4m	85,0 dB
Sensitivity EN54-24, 1W/1m	97,9 dB
Sensitivity 1W/1m @ 1KHz	109 dB
Dispersion -6dB, 500Hz	h/v 155°
Dispersion -6dB, 1KHz	h/v 110°
Dispersion -6dB, 2KHz	h/v 65°
Dispersion -6dB, 4KHz	h/v 35°

TECHNICAL DATA (MECHANICAL)

Dimensions	235x351 mm
IP Rating	IP66
Weight (net)	2,27 kg
Temperature range	-25 / +70 C°
Mounting	Mounting bracket
Connector	ceramic block
Maximum cable cross section	8mm ²
Terminal diameter	3,2 mm
Colour	RAL 7035

All rights reserved.

Information contained in this document is believed to be accurate, however no representation or warranty is given and Audemo-systems in Germany assumes no liability with respect to the accuracy of such information.



Member of the ZVEI - Central Association
for the Electrical Engineering and Electrical
Industry eV Safety Association



AUDEMO - SYSTEMS GmbH (Headquarter)

Schatzbogen 62 81829 Munchen
Tel.: +49 (0) 89 1 4 56 78 47 - 0, Fax: +49 (0) 89 1 4 56 78 47- 2900
info@audemo-systems.de, www.audemo-systems.de