



CSFD-30W-165

30 Watts Ceiling Loudspeaker



EN 54 24



- Bass reflex
- Quick mounting
- Sturdy metal housing



EN 54-24:2008
Ref. Nr.: 006-14
ID-Code: SAA-LS15
0068-CPR-190/XXXX

AUDEMO-SYSTEMS GmbH Schatzbogen 62
81829 München, Germany

CE-Symbol gemäß Richtlinie 93/68EWG

APPLICATION

- Public Address and Voice Alarm
- Background Music
- Audio Visual

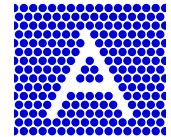
AREA OF USE

- Health
- Education
- Retail
- Hospitality
- Stadiums
- Transportation
- Theme parks
- Military

OVERVIEW

The 30W powered speaker is equipped with a 165mm 2-way bass-reflex system with a neodymium tweeter and a 100V transformer with 4 power adjustments. The speaker provides very high music quality. Low-impedance operation is also possible. The impact-resistant ABS housing in RAL 9016 guarantees long-term stability. For additional reliability, a thermal fuse and a strain relief fitting are provided.

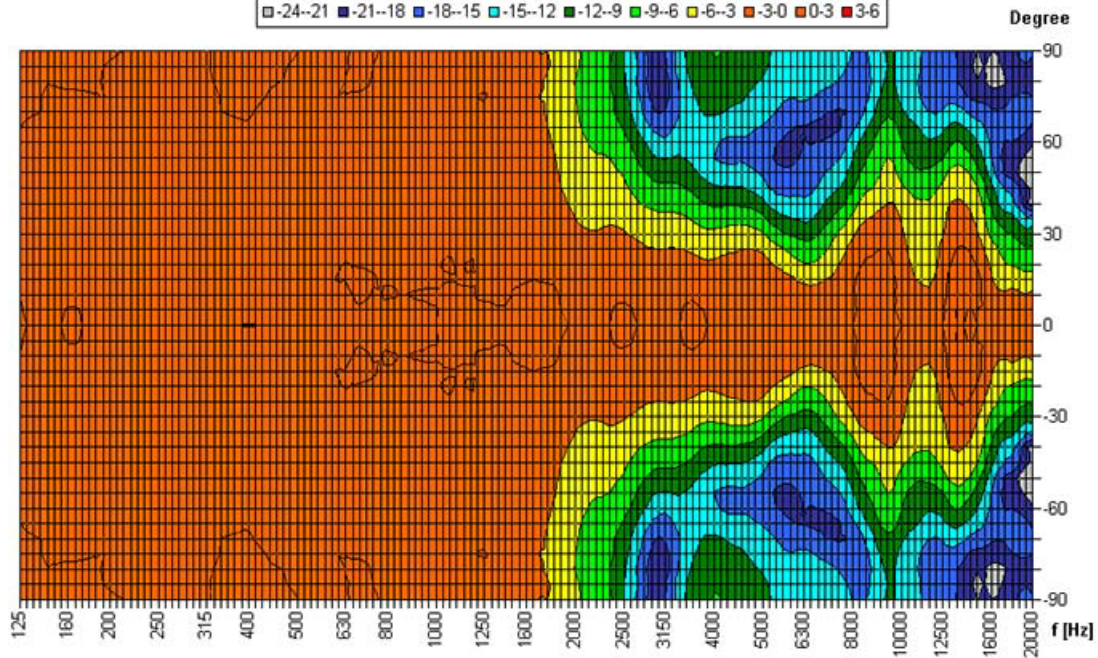
The speaker is also protected against the risks of environmental influences with protection class IP 21C and the speaker chassis is impregnated against wetness. Quick and uncomplicated screw mounting, the connection is made via a sturdy 4-pole screw terminal. Thanks to modern 2-way technology, particularly suitable for installations with demanding sound quality.



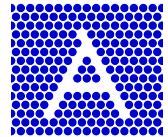
POLAR DIAGRAMS

Copyright by Four-Audio GmbH & Co KG Licensed to AAC

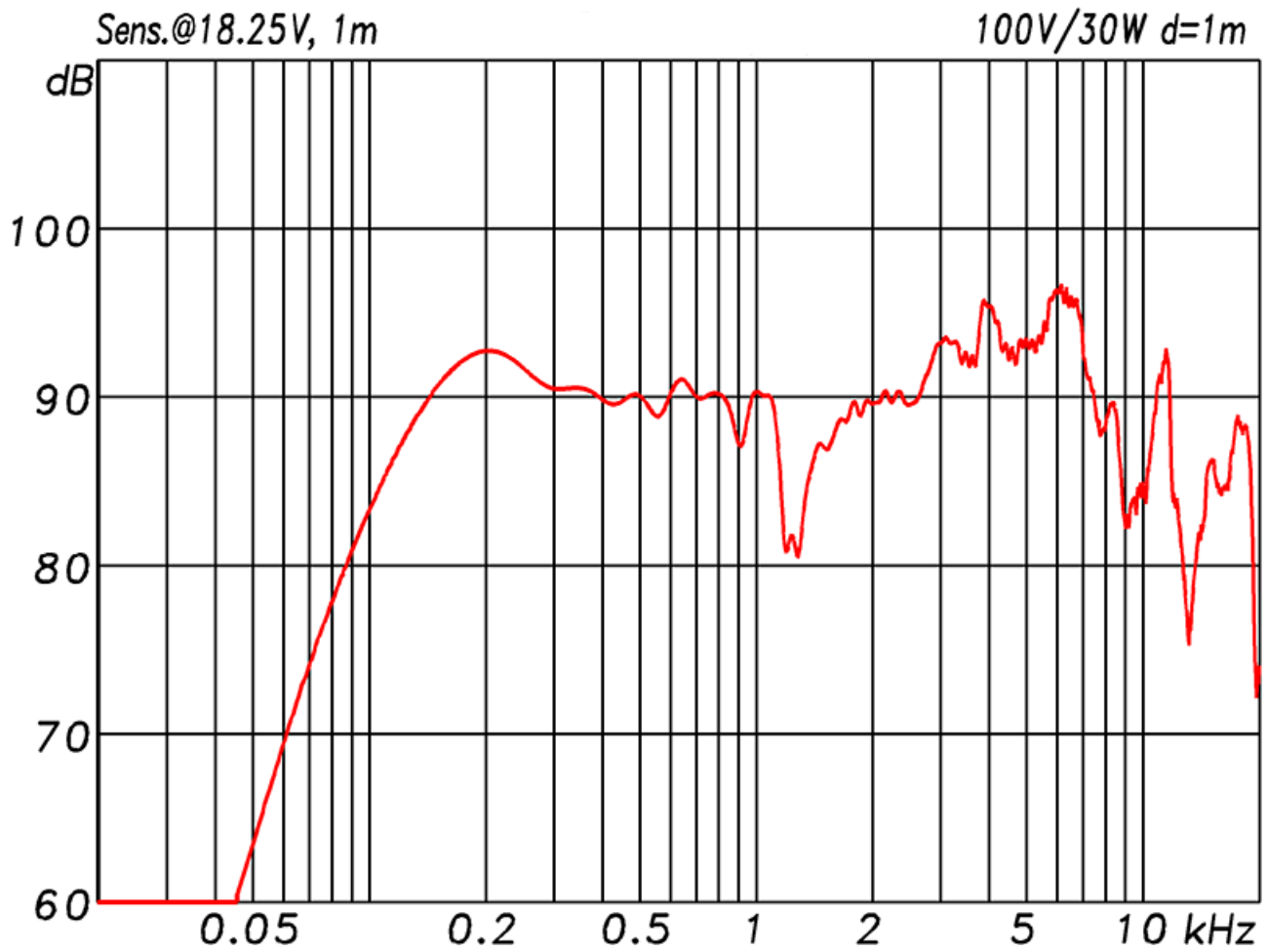
Horizontal Isobars of:



Parameters: Cyclic Move: 0° ; Symmetry: 0..+180 sym ; Freq.Smooth: 1/3 Oct ; Ang.Resol.: 5° ; Rel. to: 0° Axis 0°

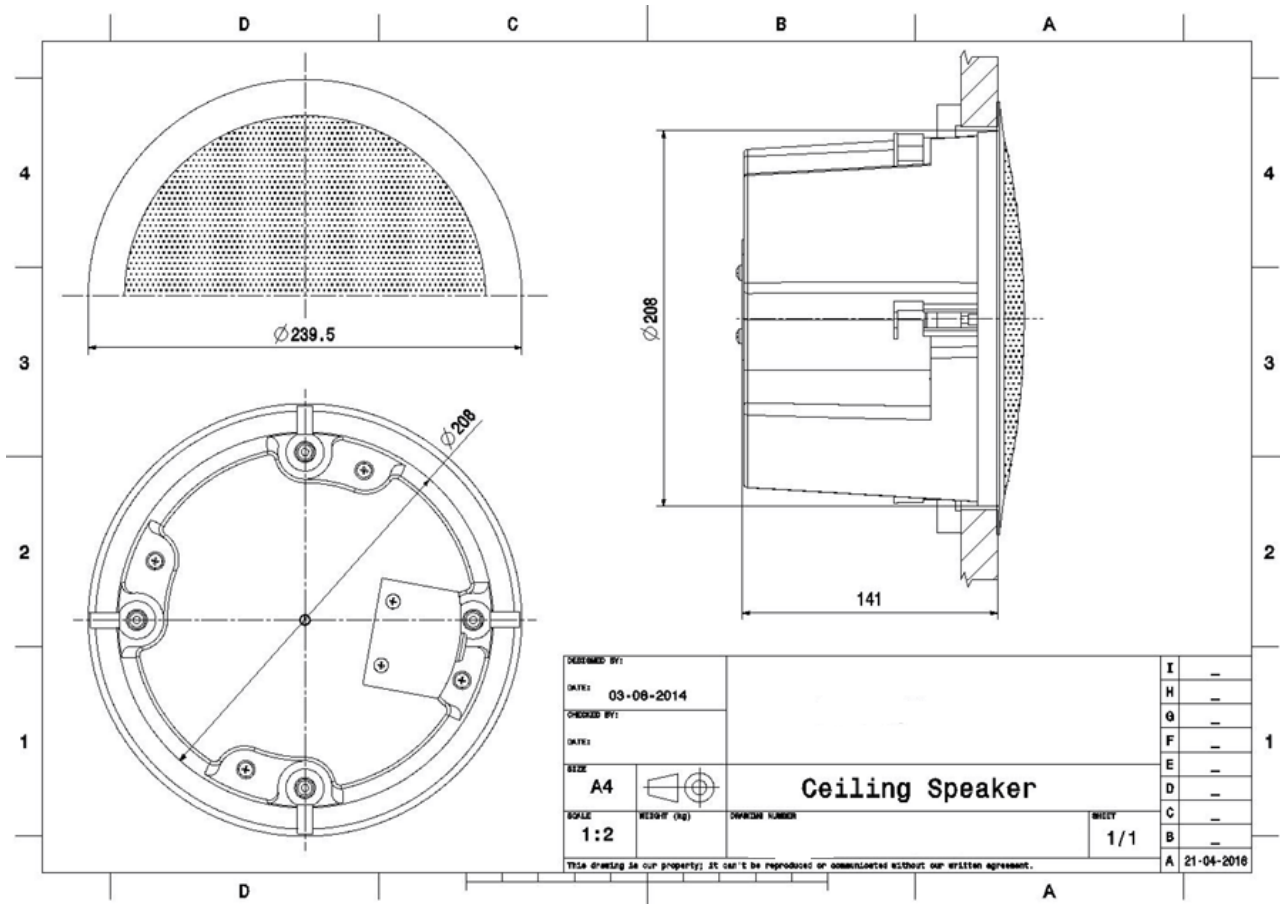


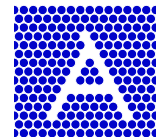
FREQUENCY RESPONSE DIAGRAMS





TECHNICAL DIAGRAMS





TECHNICAL DATA (ELECTRICAL)

Description	CSFD-30W-165
Power	30/15/7,5/3,75 (8) W
Impedance (100V)	333/667/1333/2667 ohm
Frequency Range	100-19.200 Hz
Frequency Response	87-19.300 Hz
Sensitivity, IEC268-5, 1W/1m	90,0 dB
Sensitivity EN54-24, Pmax/4m	94 dB
Sensitivity EN54-24, 1W/4m	77,8 dB
Sensitivity EN54-24, 1W/1m	89,8 dB
Dispersion -6dB, 500Hz	h/v 180°
Dispersion -6dB, 1KHz	h/v 180°
Dispersion -6dB, 2KHz	h/v 115°
Dispersion -6dB, 4KHz	h/v 62°

TECHNICAL DATA (MECHANICAL)

Dimensions	239,5 x 159 mm
IP Rating	IP21
Weight (net)	2,27 kg
Temperature range	-10 / +55 °C
Mounting	Quick-mount clamps
Connector	4-pin screw terminal
Terminal diameter	2,5 mm
Maximum cable cross section	4,9mm ²
Colour	RAL 9016

All rights reserved.

Information contained in this document is believed to be accurate, however no representation or warranty is given and Audemo-systems in Germany assumes no liability with respect to the accuracy of such information.



Member of the ZVEI - Central Association for the Electrical Engineering and Electrical Industry eV Safety Association



AUDEMO - SYSTEMS GmbH (Headquarter)

Schatzbogen 62 81829 Munchen
Tel.: +49 (0) 89 1 4 56 78 47 - 0, Fax: +49 (0) 89 1 4 56 78 47- 2900
info@audemo-systems.de, www.audemo-systems.de