



## SS-20W-ABS

### 20 Watts Pendent (Spherical) Loudspeaker



**EN 54 24**



- UV-resistant
- easy power adjustment
- 2-Way system



EN 54-24:2008  
Ref. Nr.: 020-33  
ID-Code: SAA-LS33  
0068-CPR-181/2023

AUDEMO-SYSTEMS GmbH Schatzbogen 62  
81829 München, Germany

CE-Symbol gemäß Richtlinie 93/68EWG

#### APPLICATION

- Public Address and Voice Alarm
- Background Music
- Audio Visual

#### AREA OF USE

- Health
- Education
- Retail
- Hospitality
- Stadiums
- Transportation
- Theme parks
- Military

#### OVERVIEW

The 20W speaker is equipped with a 100mm 2-way bass reflex system and offers powerful sound with a wide and homogeneous dispersion. The SS-20W-ABS has a 100V transformer with 4 power adjustments, these can be easily adjusted by a rotary switch on the top of the sphere. Low impedance operation is also possible.

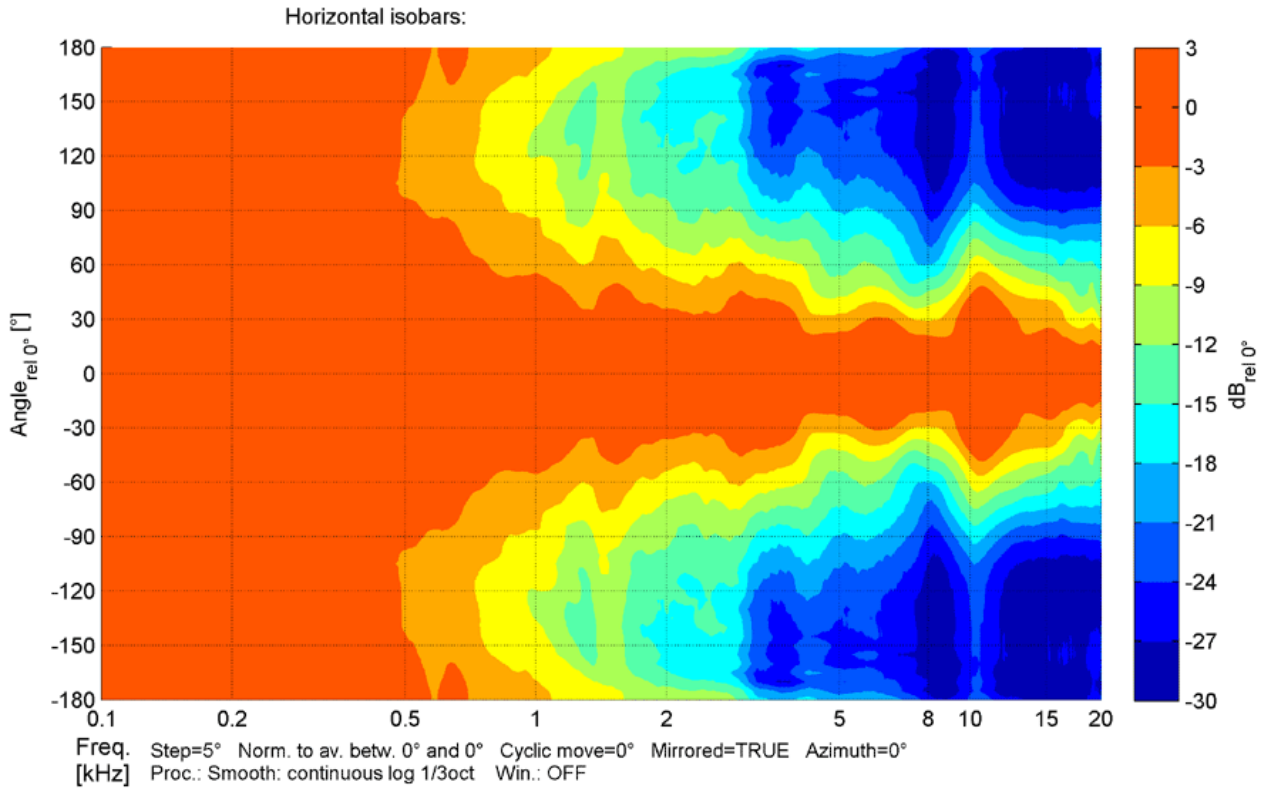
The impact-resistant, UV-resistant ABS plastic housing in RAL 9016 guarantees lasting stability. Additional operational safety is provided by the 2-pole ceramic terminal block, a thermal fuse, a PG screw connection integrated into the canopy and the moisture impregnation of the loudspeaker. The loudspeaker is protected against the risks of environmental influences with protection class IP65.

The connection is made via a 2-core, 4.5m long cable. Quick and uncomplicated installation using mounting hooks and canopy.

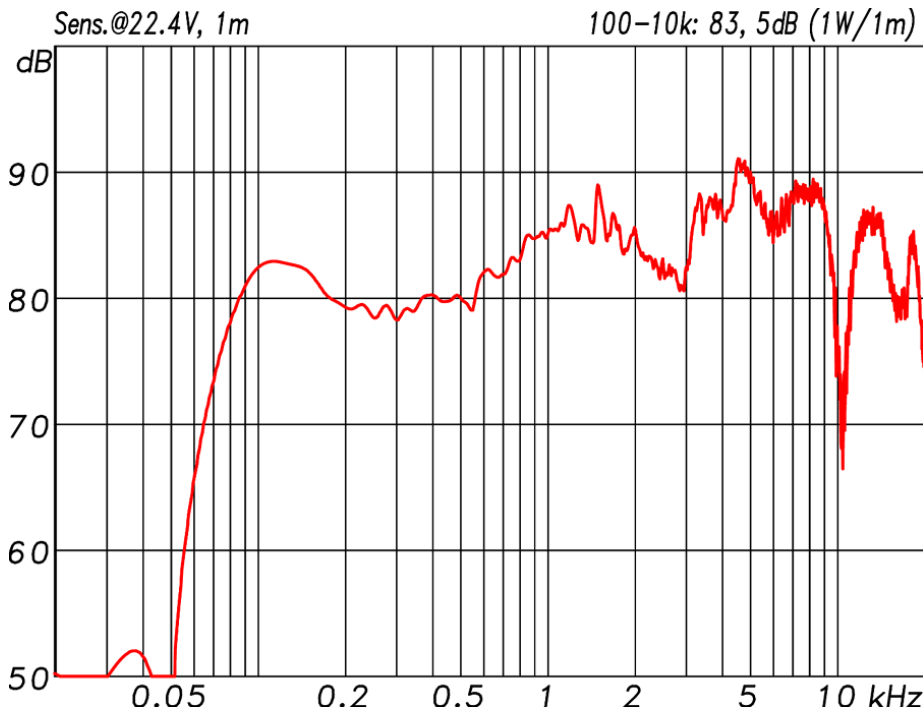
The speaker is compliant with the British Standard BS 5839, Part 8.

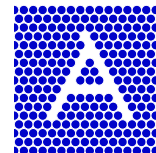


**POLAR DIAGRAMS**

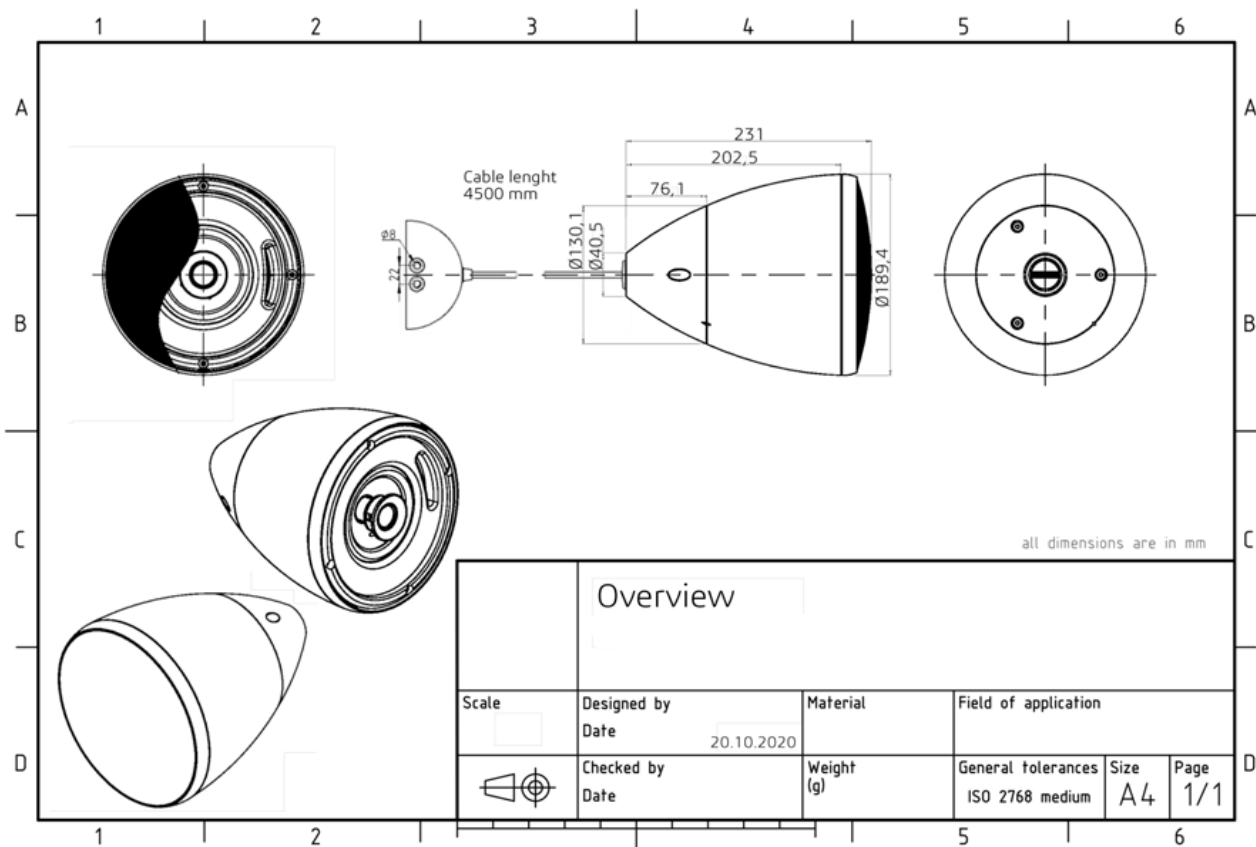


**FREQUENCY RESPONSE DIAGRAMS**





## TECHNICAL DIAGRAMS





## TECHNICAL DATA (ELECTRICAL)

Description	SS-20W-ABS
Power	20 / 10 / 5 / 2.5 (8)W
Impedance (100V)	500 / 1000 / 2000 / 4000 / 8 ohm
Frequency Range	80 -20.000 Hz
Frequency Response	70 - 22.000 Hz
Sensitivity, IEC268-5, 1W/1m	87 dB
Sensitivity, rated noise power / 4m	84,1 dB
Sensitivity, EN54-24, Pmax./4m	84,1 dB
Sensitivity EN54-24, 1W/4m	71,9 dB
Sensitivity 1W/1m @ 1KHz	85 dB
Dispersion -6dB, 500Hz	h/v 360° / 360°
Dispersion -6dB, 1KHz	h/v 160° / 160°
Dispersion -6dB, 2KHz	h/v 102° / 102°
Dispersion -6dB, 4KHz	h/v 86° / 86°

## TECHNICAL DATA (MECHANICAL)

Dimensions	189,4x231 mm
IP Rating	IP65
Weight (net)	2,02 kg
Temperature range	-10 / +55 °C
Mounting	Mounting hook
Connector	2-pin screw terminal
Maximum cable cross section	8mm <sup>2</sup>
Max. cable cross section loop	2x2mm <sup>2</sup>
Colour	RAL 9016

**All rights reserved.**

Information contained in this document is believed to be accurate, however no representation or warranty is given and Audemo-systems in Germany assumes no liability with respect to the accuracy of such information.



Member of the ZVEI - Central Association  
for the Electrical Engineering and Electrical  
Industry eV Safety Association



**AUDEMO - SYSTEMS GmbH (Headquarter)**

Schatzbogen 62 81829 Munchen  
Tel.: +49 (0) 89 1 4 56 78 47 - 0, Fax: +49 (0) 89 1 4 56 78 47- 2900  
info@audemo-systems.de, www.audemo-systems.de