



CSFLD-25W-130

25 Watts Ceiling loudspeaker



EN 54 24



- 2-way system
- thermal fuse
- magnetic fastening of grille



EN 54-24:2008
Ref. Nr.: 018-15
ID-Code: SAA-LS18
0068-CPR-185/2023

AUDEMO-SYSTEMS GmbH Schatzbogen 62
81829 München, Germany

CE-Symbol gemäß Richtlinie 93/68EWG

APPLICATION

- Public Address and Voice Alarm
- Background Music
- Audio Visual

AREA OF USE

- Health
- Education
- Retail
- Hospitality
- Stadiums
- Transportation
- Theme parks
- Military

OVERVIEW

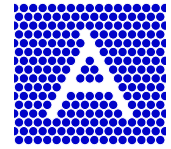
2-Way ceiling speaker with fire dome for voice alarm applications certified EN 54-24, suitable for voice announcements and background music with excellent sound quality in buildings. The 25W powered speaker is equipped with a 130mm 2-way system featuring a high-quality tweeter and a 100V transformer with 4 power adjustments. Low impedance operation is also possible. The sturdy metal housing in RAL 9016 guarantees long-term durability.

Thanks to an innovative magnetic fastening, the finely perforated speaker grille can quickly be removed or replaced by a grille of a different color, even after the installation.

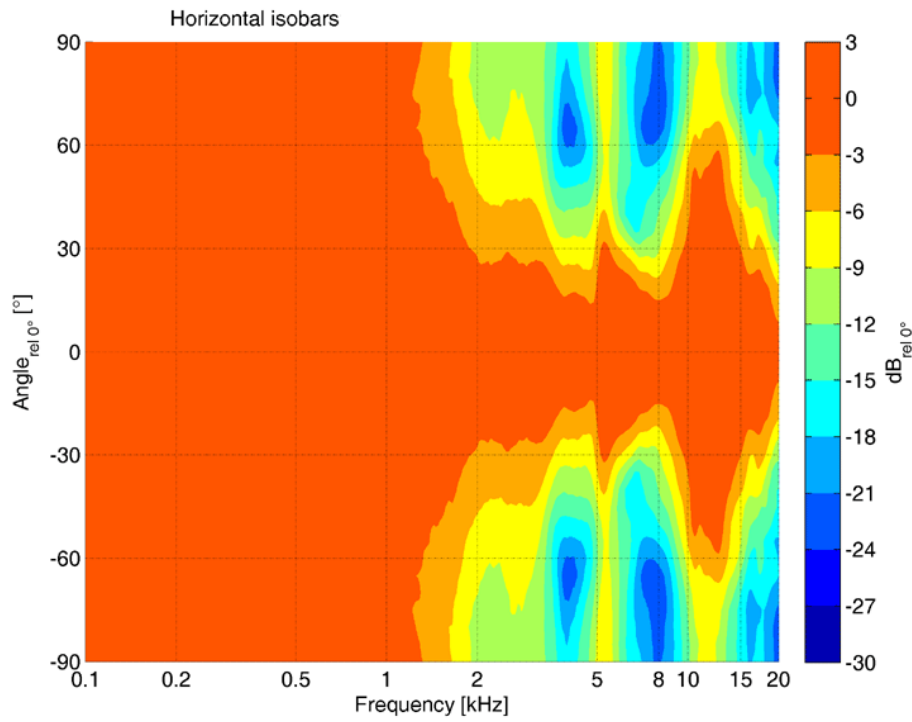
The speaker is impregnated against dampness.

Protection class IP 21C secures the speaker against the risks of environmental influences.

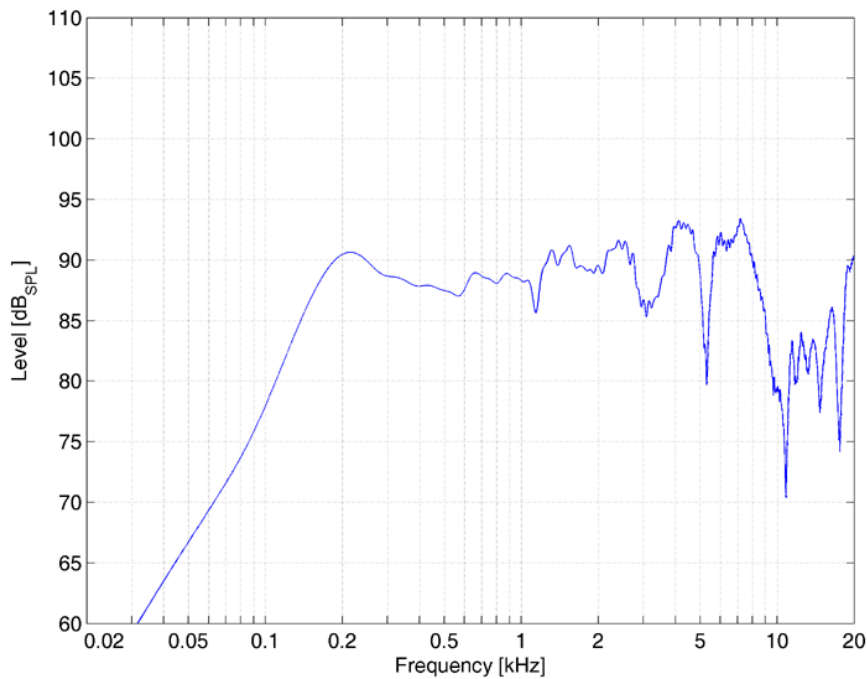
Fast and easy installation via a screw mounting system.



POLAR DIAGRAMS

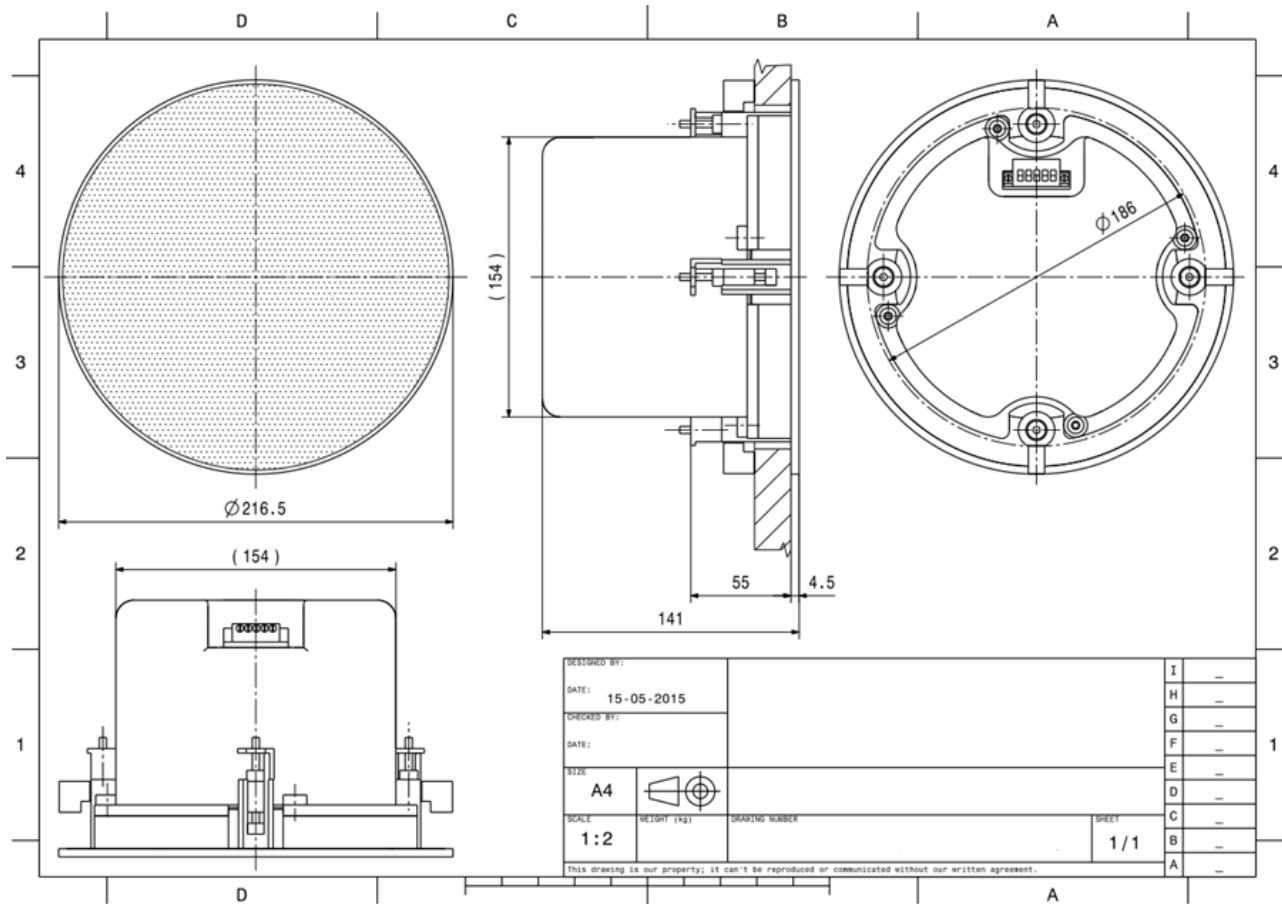


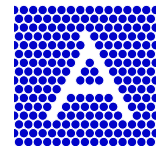
FREQUENCY RESPONSE DIAGRAMS





TECHNICAL DIAGRAMS





TECHNICAL DATA (ELECTRICAL)

Description	CSFLD-25W-130
Power	25/12.5/6.25 (8) W
Impedance (100V)	400/800/1600 ohm
Frequency Range	104 - 22.700 Hz
Frequency Response	111 - 21.600 Hz
Sensitivity, IEC268-5, 1W/1m	87,0 dB
Sensitivity, EN54-24, Pmax./4m	90,2 dB
Sensitivity EN54-24, 1W/4m	75,8 dB
Sensitivity EN54-24, 1W/1m	87,8 dB
Sensitivity 1W/1m @ 1KHz	87 dB
Dispersion -6dB, 500Hz	180°
Dispersion -6dB, 1KHz	180°
Dispersion -6dB, 2KHz	110°
Dispersion -6dB, 4KHz	72°

TECHNICAL DATA (MECHANICAL)

Dimensions	216,5 x 141 mm
IP Rating	IP21
Weight (net)	1,80 kg
Ceiling Cut-out	186 mm
Temperature range	-10 / +55 °C
Mounting	Screw system
Connector	5-pin screw terminal
Maximum cable cross section	4,9mm ²
Terminal diameter	2,5 mm
Colour	RAL 9016

All rights reserved.

Information contained in this document is believed to be accurate, however no representation or warranty is given and Audemo-systems in Germany assumes no liability with respect to the accuracy of such information.



Member of the ZVEI - Central Association
for the Electrical Engineering and Electrical
Industry eV Safety Association



AUDEMO - SYSTEMS GmbH (Headquarter)

Schatzbogen 62 81829 Munchen
Tel.: +49 (0) 89 1 4 56 78 47 - 0, Fax: +49 (0) 89 1 4 56 78 47- 2900
info@audemo-systems.de, www.audemo-systems.de